





DESIGNED FOR A LIFE OUTDOORS



CONTENTS

01 Luxury Built-In Grills

04 Luxury Freestanding Grills

07 Luxury Grill Accessories

30" LUXURY GRILL



Size: 30"

Dimensions:
30"W x 24"D x 25" H

Install Type: Built-in or
Freestanding with Cart

Burners: Two burners at
22,000 BTUs each and One
Infrared Rotisserie Burner

Built-in Cut Outs:
28 3/16"W x 21 9/16"D x 9 7/8"

Electrical: 120V



LO-G-30

Reversible Briquettes:

Reversible briquettes become self-cleaning flame tamers that ensure even cooking and easy maintenance.

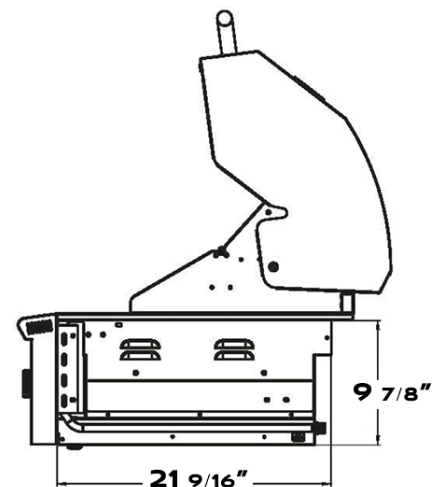
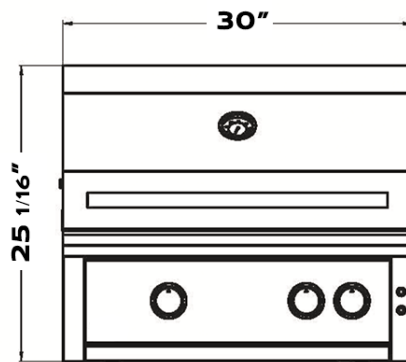
Laser Cut Grates:

Forged from a single piece of 304 Stainless Steel, Tereaux grates are one of the ultimate options in the outdoor cooking industry.

Multi Zone Control: With a 9" heavy duty foldable top rack and multiple cooking zones with removable dividers allow multi zone temperature control.

Best in Class Rotisserie:

An ultra-quiet rotisserie, with a 25LB+ weight capacity, and fully ceramic burner that will grant you consistent, quality results.



36" LUXURY GRILL

Size: 36"

Dimensions:

36"W x 24"D x 25"H

Install Type: Built-in or Freestanding with Cart

Burners: Three burners at 22,000 BTUs each and One Infrared Rotisserie Burner

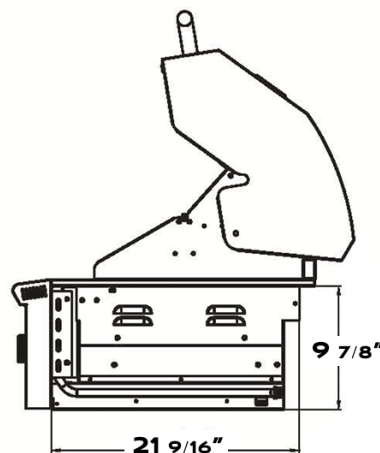
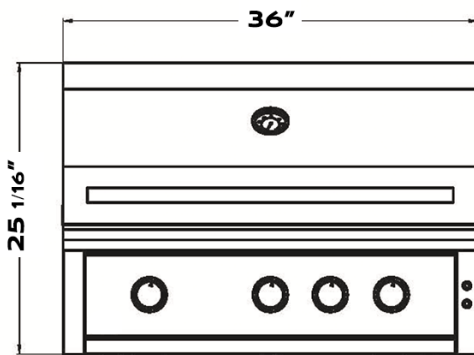
Built-in Cut Outs:

34 3/16"W x 21 9/16"D x 9 7/8"

Electrical: 120V



LO-G-36



Reversible Briquettes:

Reversible briquettes become self-cleaning flame tamers that ensure even cooking and easy maintenance.

Laser Cut Grates:

Forged from a single piece of 304 Stainless Steel, Tereaux grates are one of the ultimate options in the outdoor cooking industry.

Multi Zone Control:

With a 9" heavy duty foldable top rack and multiple cooking zones with removable dividers allow multi zone temperature control.

Best in Class Rotisserie:

An ultra-quiet rotisserie, with a 25LB+ weight capacity, and fully ceramic burner that will grant you consistent, quality results.

42" LUXURY GRILL



Size: 42"

Dimensions:
42"W x 24"D x 25" H

Install Type: Built-in or
Freestanding with Cart

Burners: Four burners at
22,000 BTUs each and One
Infrared Rotisserie Burner

Built-in Cut Outs:
40 3/16"W x 21 9/16"D x 9 7/8"H

Electrical: 120V



LO-G-42

Reversible Briquettes:

Reversible briquettes become self-cleaning flame tamers that ensure even cooking and easy maintenance.

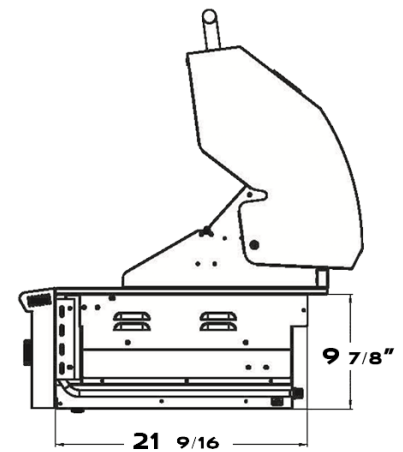
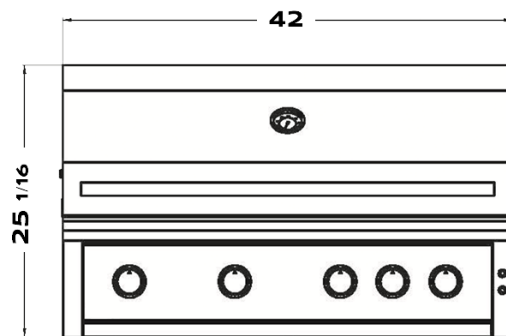
Laser Cut Grates:

Forged from a single piece of 304 Stainless Steel, Tereaux grates are one of the ultimate options in the outdoor cooking industry.

Multi Zone Control: With a 9" heavy duty foldable top rack and multiple cooking zones with removable dividers allow multi zone temperature control.

Best in Class Rotisserie:

An ultra-quiet rotisserie, with a 25LB+ weight capacity, and fully ceramic burner that will grant you consistent, quality results.



30" LUXURY GRILL/CART

Size: 30"

Grill Dimensions:

30"W x 23 9/16"D x 25 3/8"H

Grill & Cart Dimensions:

61"W x 28 11/16"D x 51 5/8" H

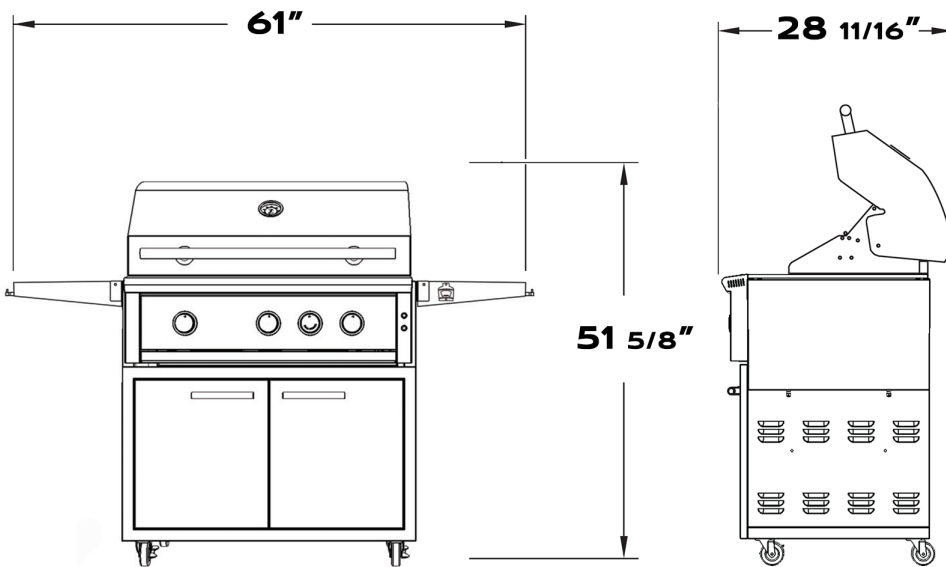
Install Type: Cart

Burners: Two burners at 22,000 BTUs each and One Infrared Rotisserie Burner

Electrical: 120V



LO-GCT-30



Reversible Briquettes:

Reversible briquettes become self-cleaning flame tamers that ensure even cooking and easy maintenance.

Laser Cut Grates:

Forged from a single piece of 304 Stainless Steel, Tereaux grates are one of the ultimate options in the outdoor cooking industry.

Multi Zone Control: With a 9" heavy duty foldable top rack and multiple cooking zones with removable dividers allow multi zone temperature control.

Best in Class Rotisserie:

An ultra-quiet rotisserie, with a 25LB+ weight capacity, and fully ceramic burner that will grant you consistent, quality results.

36" LUXURY GRILL/CART



Size: 36"

Grill Dimensions:

36"W x 21 9/16"D x 25 5/16"H

Grill & Cart Dimensions:

67"W x 26 5/16"D x 51 1/4" H

Install Type: Cart

Burners: Three burners at 22,000 BTUs each and One Infrared Rotisserie Burner

Electrical: 120V



LO-GCT-36

Reversible Briquettes:

Reversible briquettes become self-cleaning flame tamers that ensure even cooking and easy maintenance.

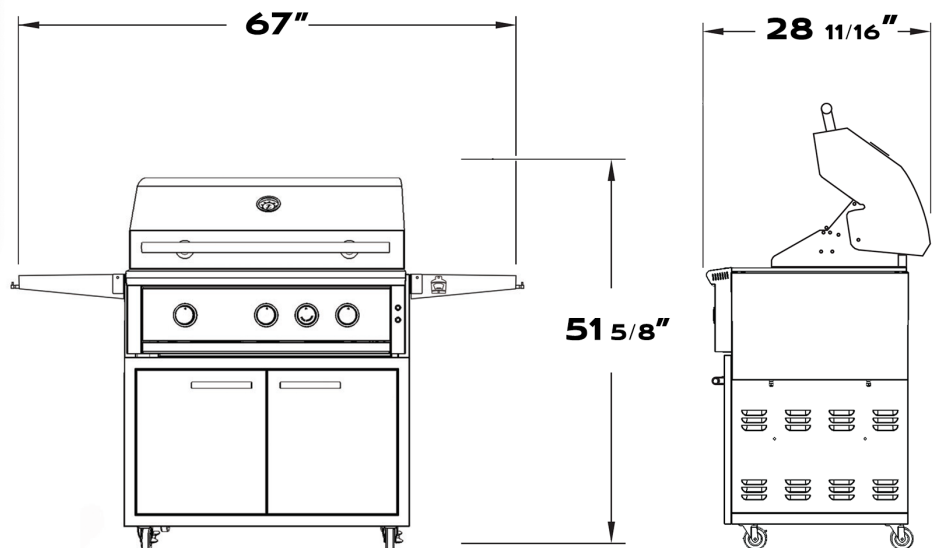
Laser Cut Grates:

Forged from a single piece of 304 Stainless Steel, Tereaux grates are one of the ultimate options in the outdoor cooking industry.

Multi Zone Control: With a 9" heavy duty foldable top rack and multiple cooking zones with removable dividers allow multi zone temperature control.

Best in Class Rotisserie:

An ultra-quiet rotisserie, with a 25LB+ weight capacity, and fully ceramic burner that will grant you consistent, quality results.



42" LUXURY GRILL/CART

Size: 42"

Grill Dimensions:

42"W x 23 9/16"D x 23 3/8"H

Grill & Cart Dimensions:

73"W x 28 11/16"D x 51 5/8" H

Install Type: Cart

Burners: Four burners at 22,000 BTUs each and One Infrared Rotisserie Burner

Electrical: 120V



LO-GCT-42

Reversible Briquettes:

Reversible briquettes become self-cleaning flame tamers that ensure even cooking and easy maintenance.

Laser Cut Grates:

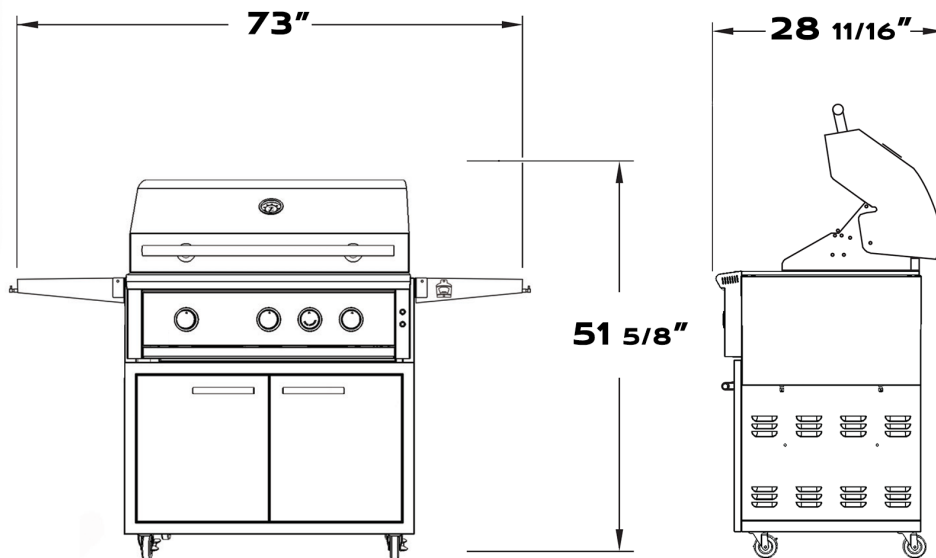
Forged from a single piece of 304 Stainless Steel, Tereaux grates are one of the ultimate options in the outdoor cooking industry.

Multi Zone Control:

With a 9" heavy duty foldable top rack and multiple cooking zones with removable dividers allow multi zone temperature control.

Best in Class Rotisserie:

An ultra-quiet rotisserie, with a 25LB+ weight capacity, and fully ceramic burner that will grant you consistent, quality results.



LUXURY DUAL SIDE BURNER



Size: 13"

Dimensions:

13"W x 28 3/4"D x 14 1/4"H

Install Type: Built-in

Fuel Type: Natural Gas or Propane

Burners: Two burners at 12,000 BTUs each (front and rear)

Electrical: 120V

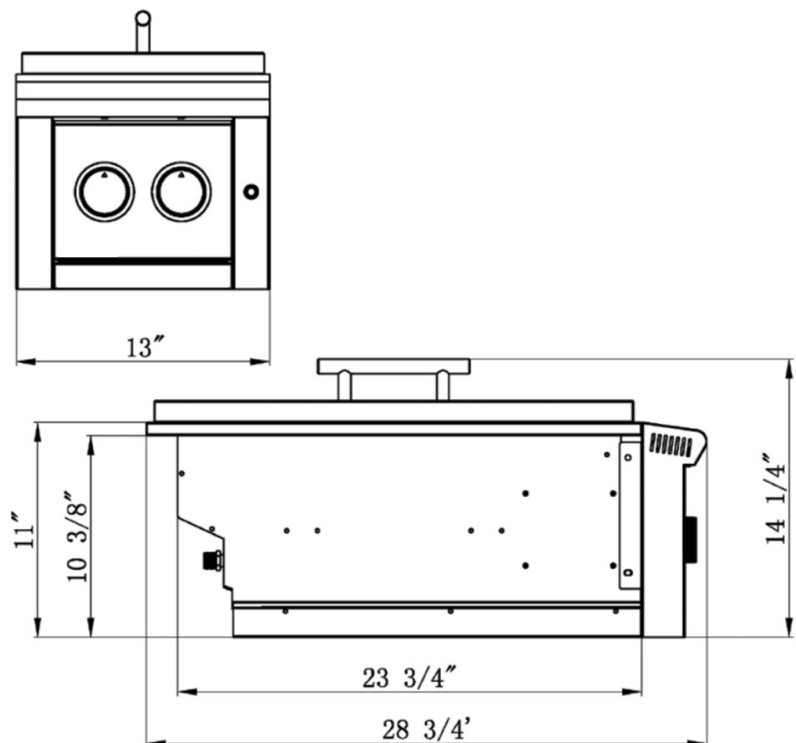


LO-DSB

Even Heating: Front and rear burners allow for more versatility in cooking different foods at varying temperatures.

Heavy Duty Grates: Welded 304 Stainless Steel, Tereaux grates are one of the ultimate options in the outdoor cooking industry.

Multi Zone Control: A lot of power in a smaller package. With two powerful burners you can utilize multi zone temperature control.



LUXURY POWER BURNER

Size: 16"

Dimensions:
16"W x 23"D x 14 1/4"H

Install Type: Built-in

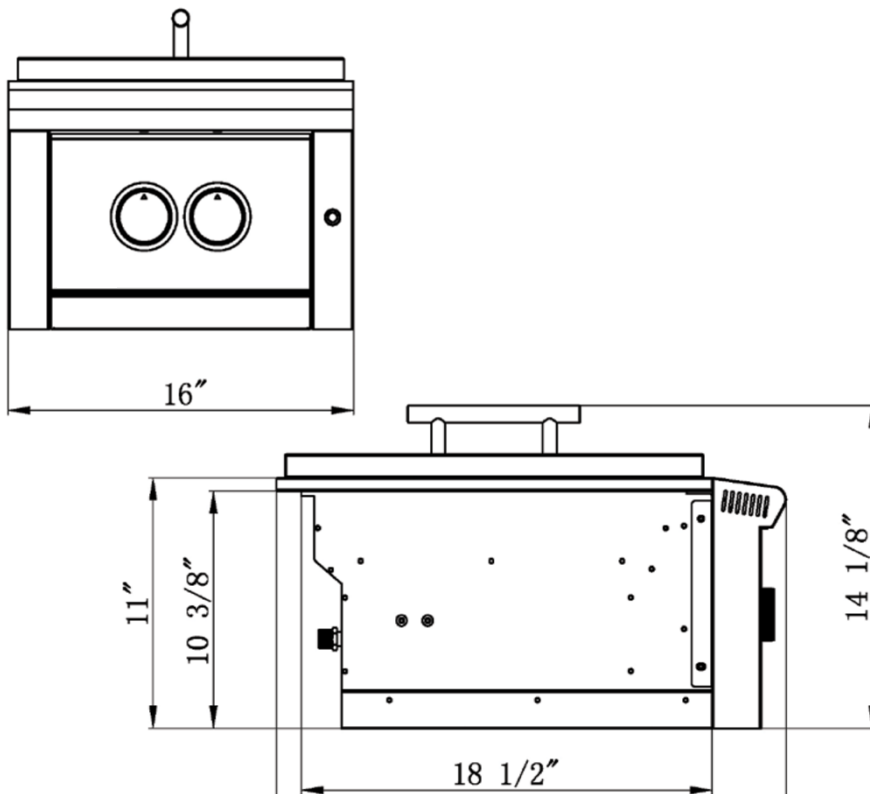
Fuel Type: Natural Gas or
Propane

Burners: Dual Ring Power
Inner Ring: 25,000 BTU
Outer Ring: 35,000 BTU

Electrical: 120V



LO-PB



Small Profile: Save room in your outdoor kitchen without sacrificing power.

Heavy Duty Grates: Welded 304 Stainless Steel, Tereaux grates are one of the ultimate options in the outdoor cooking industry.

Concentrated Power: Inner and outer ring burners provide precise control and up to 60K BTUs.

GAS GRIDDLE STATION



Size: 30"

Grill Dimensions:
30"W x 25 5/16"D x 11 9/16"H

Install Type: Built-in or freestanding with cart

Burners: Two burners at 18,000 BTUs each

Electrical: 120V

Grilling Area: 495 sq. inches

Cut Out Dimensions:
28 3/4"W x 24"D x 10 7/8"H



LO-GGS

Searing Power: Can hold up to 22 standard size hamburger patties at one time, with a combined BTU output of 36,000.

Wind Resistant:
Designed to perform well under windy conditions.

Multi Zone Control: Two burners allow for ultimate control over the griddle surface, to cook different foods at varying temperatures.

Heavy Duty 304: From the heavy duty solid griddle surface, to the premium welds and folds, this griddle was built for a life outdoors.

